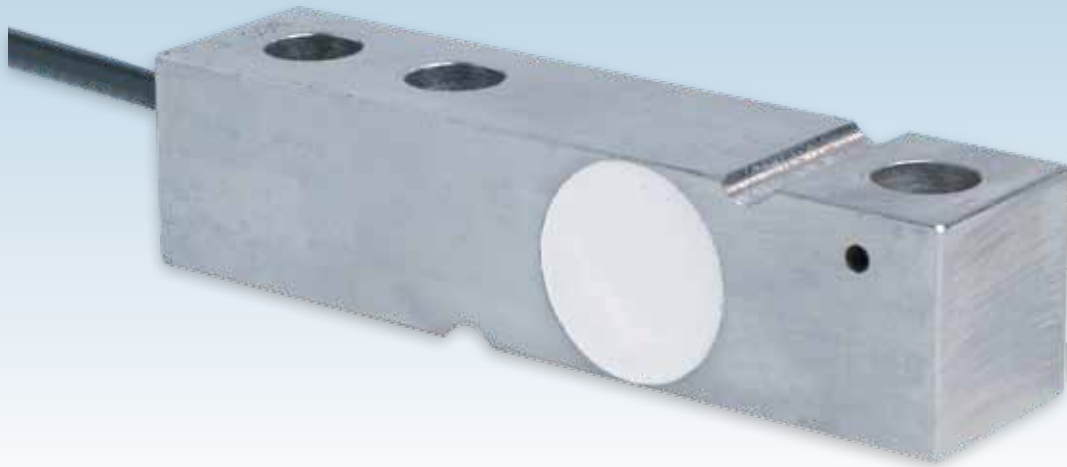


350n

SHEAR BEAM LOAD CELLS FOR INDUSTRIAL WEIGHING

capacities 300kg - 2000kg



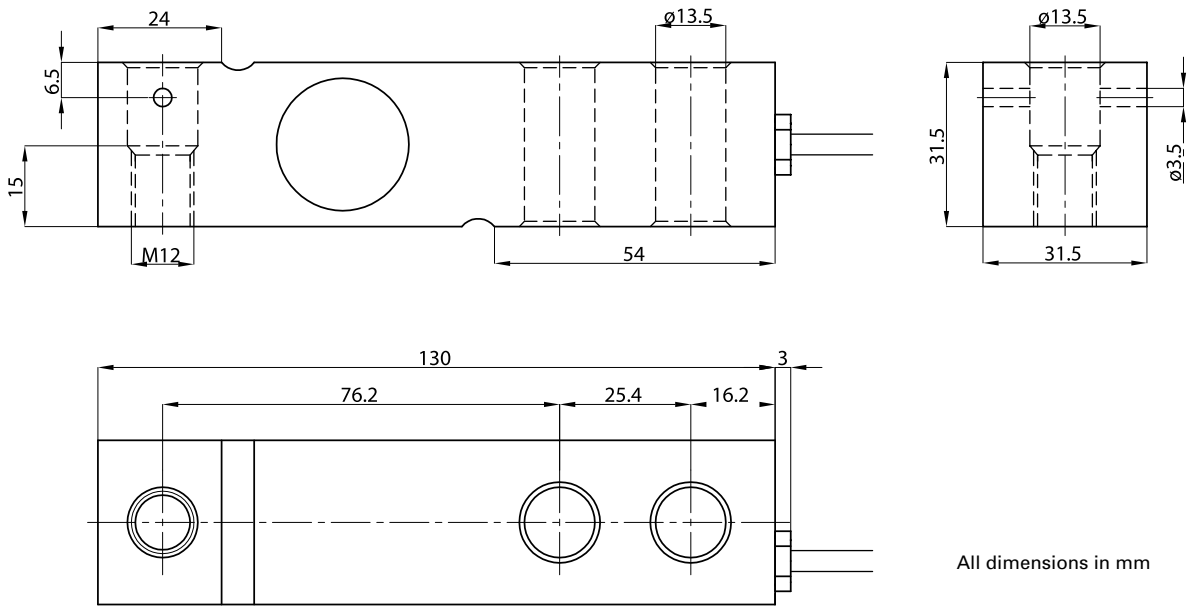
This cell is typically used in weigh platforms, tanks and vessel weighing, bag filling machines and conveyors, and is approved to OIML R60 3000 divisions.

This low cost shear beam load cell is ideal for applications where fully welded, hermetically sealed products are not required. Manufactured from steel alloy and nickel plated, the strain gauges are protected by a silicone compound to give an IP66 rating.

- Nickel plated steel alloy load sensor
- Silicone sealed to IP66
- Cost effective
- 3000 divisions OIML R60 Class C
- Simple low cost installation
- 5 year warranty
- Industry standard configuration
- Optional load feet, mounting plates, load buttons and supports
- Optional anti-vibration loading assembly

350n

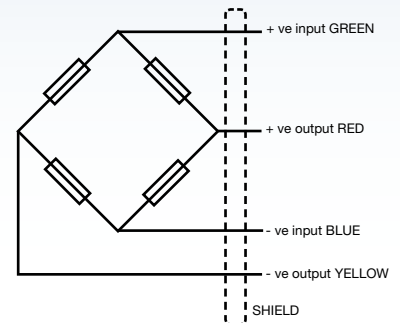
technical specification...



350n Load Cell

	Load cell specification	Units
Load Cell Capacities	300, 500, 750, 1000, 1500, 2000	Kg
Rated Output	2	mV/V +/-0.25%
Accuracy Class	3000	n.OIML
Combined Error	< +/- 0.017	%*
Non-repeatability	< +/- 0.015	%*
Creep (30 minutes)	< +/- 0.016	%*
Temperature Effect on Zero Balance	< +/- 0.002	%* / °C
Temperature Effect on Span	< +/- 0.0012	%* / °C
Compensated Temperature Range	-10 to +40	°C
Operating Temperature Range	-20 to +70	°C
Safe Overload	150	%*
Ultimate Overload	200	%*
Zero Balance	< +/- 2	%*
Input Resistance	400	Ω +/- 30
Output Resistance	350	Ω +/- 1.5
Insulation Resistance	> 5000	MΩ @ 100V
Recommended Supply Voltage	10	V
Maximum Supply Voltage	15	V
Environmental Protection	IP66	
Cable length	5	m
Cable Material	PVC	
Nominal Shipping Weight (300 - 2000kg)	0.9	kg

*With respect to rated load



Electrical Connections

Via 4 wire, 6mm diameter, screened PVC cable.
Screen not connected electrically to load cell.

DISTRIBUTED BY:



THAMES SIDE SENSORS LTD

Unit 10, io Trade Centre, Deacon Way,
Reading, Berkshire RG30 6AZ

tel: +44 (0) 118 941 1387

fax: +44 (0) 118 941 2004

sales@thames-side.co.uk

www.thames-side.com



Issue: 350n.07.13

Our policy is one of continuous product enhancement. We therefore reserve the right to incorporate technical modifications without prior notification.

